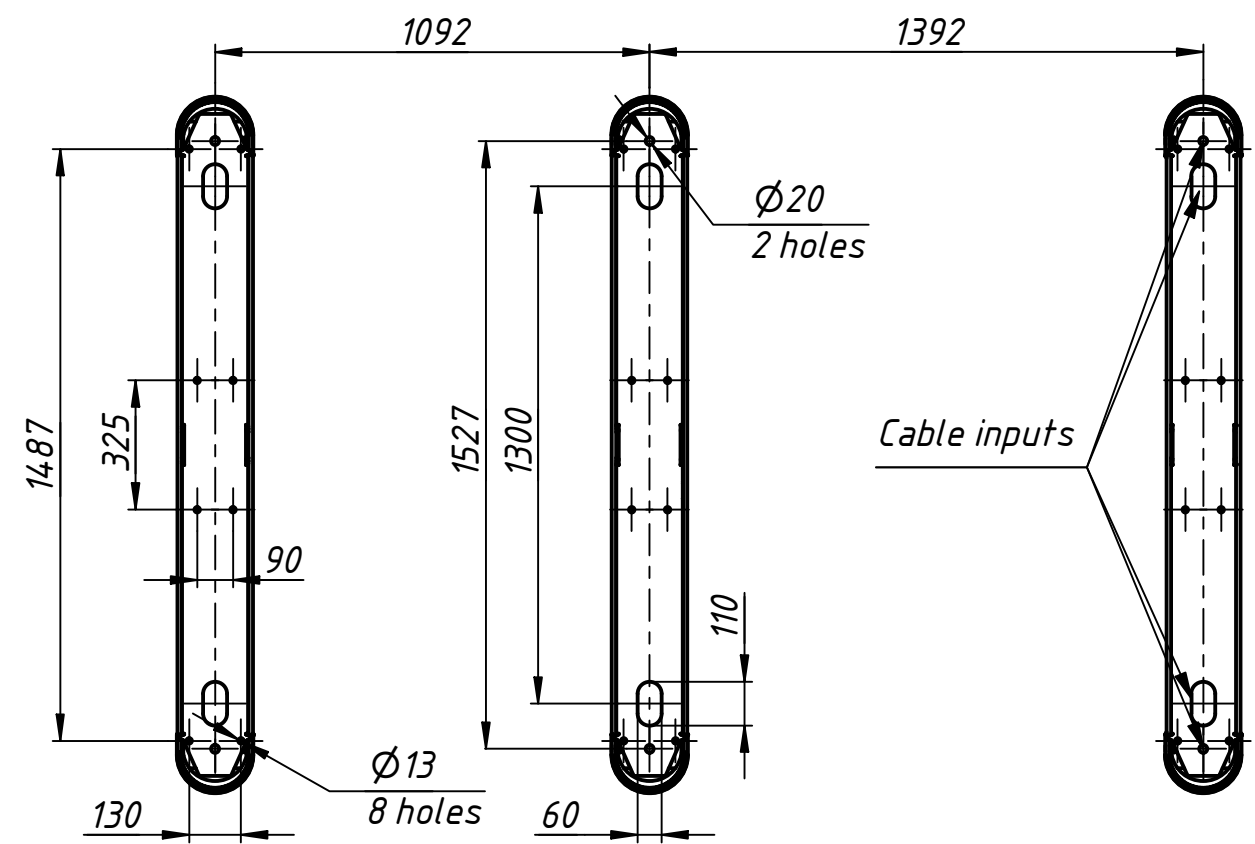
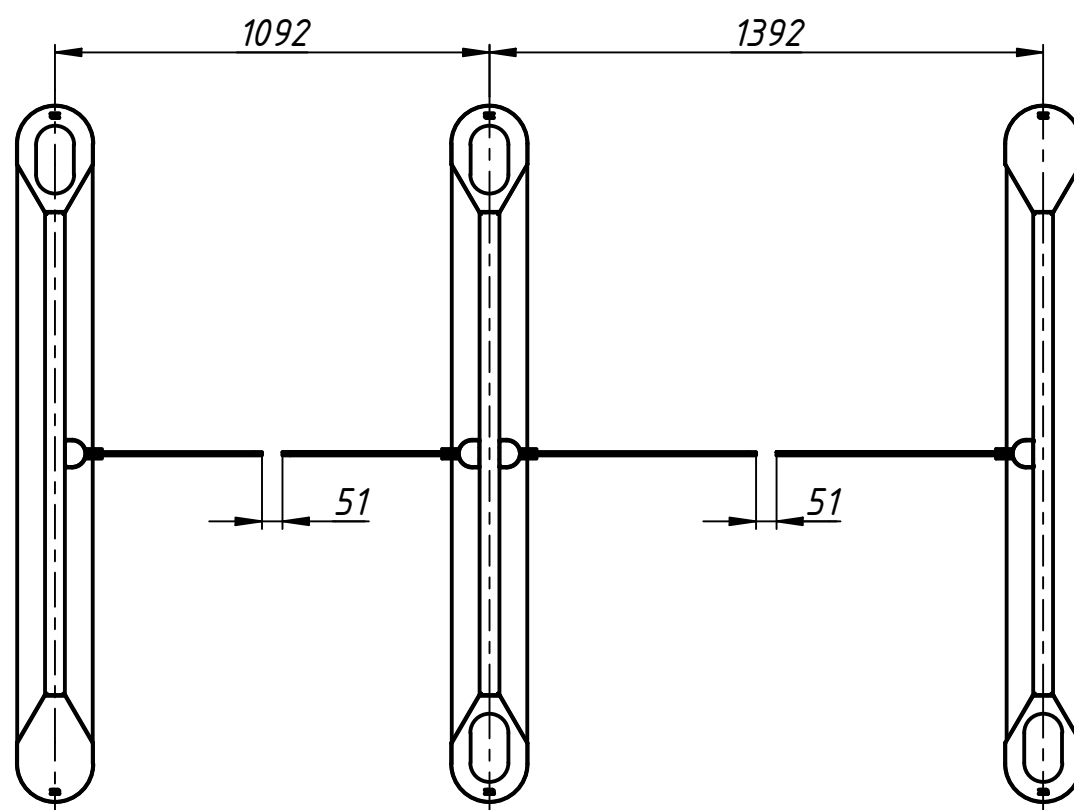


*Installation template*



*Cable inputs*



Speed gates  
Sweeper-HGW-BM  
900+1200  
[www.tiso.global](http://www.tiso.global)